

# CYS10 Double Euro Cylinder

## Technical Datasheet



For internal and external doors



Optional: Gear wheel cam

Durable and secure, the CY510 Double Euro Cylinder provides the protection you need to lock your building's doors – inside or out. Various optional features, such as free wheeling cam and gear wheel cam, make it ideal for a wide range of applications.



Certified security

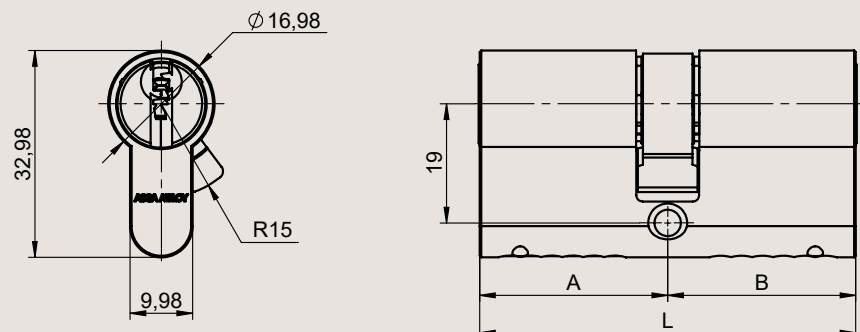


Protection against cylinder attack

### Technical data and features

<b>Security</b>	SKG*** certified (optional) EN 1303:2015 tested, 1 6 – B – C 6 0/D (D optional) Cam DIN 18252 compliant
<b>Attack resistance</b>	Anti-pick Anti-bump (for MKS consult your master key specialist) Anti-drill: 5 minutes' drilling resistance (optional) Anti-pull: 15 kN pulling resistance (optional) Anti-snap (optional)
<b>Keying</b>	Sawn key design Master key system (MKS); Keyed alike (KA); Keyed to differ (KD)
<b>Number of keys</b>	MKS and KA: according to order; KD: 3
<b>Max. number of effective key differs</b>	144,729
<b>Max. number of MKS profiles</b>	63
<b>Number of pins</b>	6
<b>Raw material</b>	Brass
<b>Finish</b>	Satin Nickel
<b>Cylinder length</b>	Minimum: 27 27 mm; Maximum: 90 90 mm Increments: 5 mm (starting from 30 30 mm)
<b>Weight</b>	234 g (length 30 35 mm)
<b>Optional functionality</b>	Emergency clutch Free wheeling cam Gear wheel cam Anti-snap design Construction keying Local cam designs (French, Adriatic Jus)

Dimensions in mm



ASSA ABLOY  
Opening Solutions EMEA  
Mechanical Security  
Solutions  
Dukes Court  
Dukes Street  
Woking  
GU21 5BH  
United Kingdom  
assaabloy.com