

CYS10 Key

Technical Datasheet



For all CYS10 locking points



With its trusted sawn key design and large keybow, the CYS10 key is convenient to use. Its long key neck allows the operation with thicker door escutcheons.

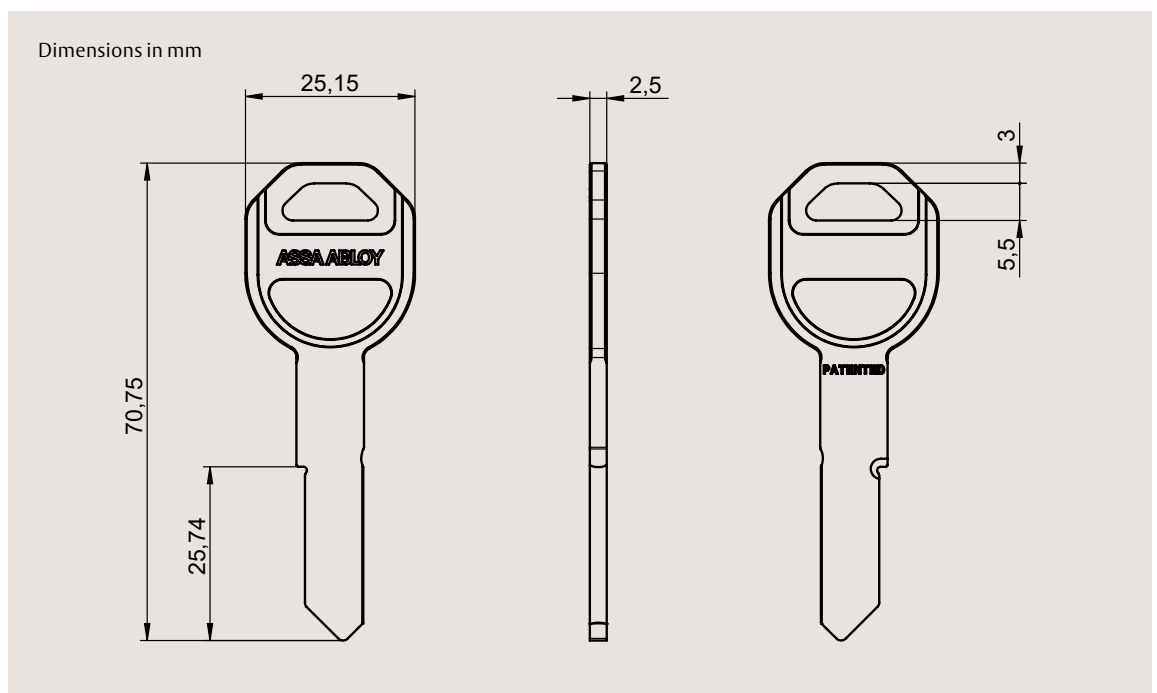
Two separate key copy protection patents provide an extra layer of security.



Patent protection makes unauthorized key copying illegal

Technical data and features

| | |
|---|--|
| Security | Patent-protected until 2037 |
| Keying | Sawn key design Master key system (MKS) Keyed alike (KA) Keyed to differ (KD) |
| Number of keys | MKS and KA: according to order; KD: 3 |
| Max. number of effective key differs | 144,729 |
| Max. number of MKS profiles | 63 |
| Exclusive profiles | Customer specific profiles available |
| Profile shape | Paracentric |
| Raw material | Nickel Silver |
| Finish | Nickel Silver |
| Key thickness | 2.5 mm |
| Key neck length | 17.2 mm |
| Weight | 20.3 g |



ASSA ABLOY
Opening Solutions EMEA
Mechanical Security
Solutions
Dukes Court
Dukes Street
Woking
GU21 5BH
United Kingdom
assaabloy.com