

CYS10 Padlock

Technical Datasheet



For indoor and outdoor locking points



Optional: Dust cover

A trusted, robust padlock for multiple applications, inside or outdoors. Suitable for sheds, gates, fences, lockers, storage boxes, bike chains, and more.

When in the unlocked position, the CYS10 Padlock retains the key to prevent your possessions being left at risk.

The optional dust cover increases corrosion resistance to 240 hours.



Certified security

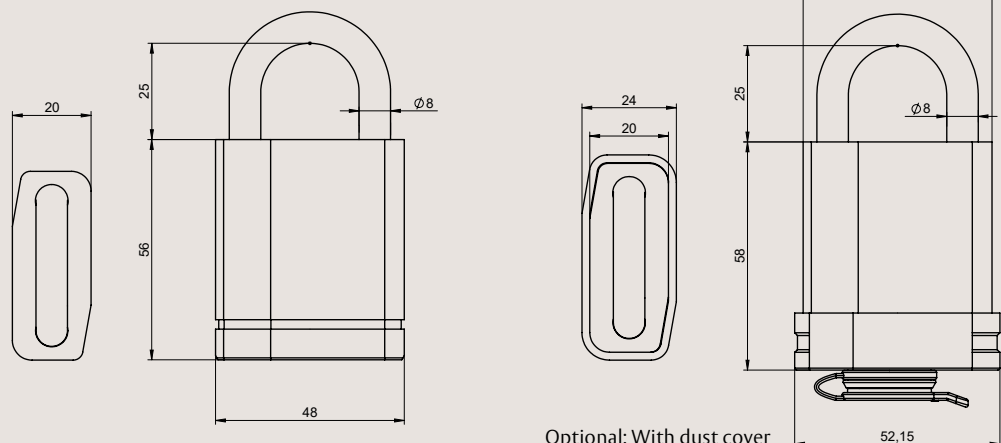


Protection against cylinder attack

Technical data and features

Security	EN 12320:2012 tested – grade 3 IP67 (with dust cover)
Attack resistance	Anti-pick Anti-bump (for MKS consult your master key specialist)
Keying	Sawn key design Master key system (MKS); Keyed alike (KA); Keyed to differ (KD)
Number of keys	MKS and KA: according to order; KD: 3
Max. number of effective key differs	144,729
Max. number of MKS profiles	63
Number of pins	6
Raw material	Body: Brass; Shackle: Hardened Boron Steel
Finish	Satin Nickel
Body dimensions	Width: 48 mm Length: 56 mm Thickness: 20 mm
Shackle diameter	8 mm
Shackle clearance	25 mm; 50 mm; 75 mm
Weight	450 g (25 mm shackle clearance)
Optional functionality	Dust cover (240 hours salt spray test conformance) 25 mm Stainless Steel shackle Non key retaining

Dimensions in mm



Optional: With dust cover

ASSA ABLOY
Opening Solutions EMEA
Mechanical Security
Solutions
Dukes Court
Dukes Street
Woking
GU21 5BH
United Kingdom
assaabloy.com