

CYS10 Single Euro Cylinder

Technical Datasheet



For internal doors



Optional: Adjustable cam

Highly durable cylinder with the performance to secure your building. Keep interior spaces secure with the CY510 Single Euro Cylinder. The optional multi-position cam allows the cam to turn into the application's required position.



Certified security

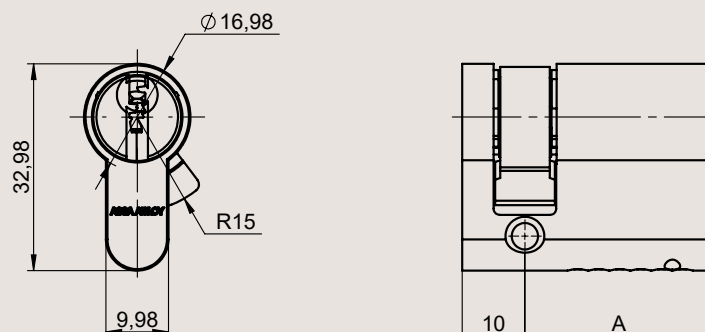


Protection against cylinder attack

Technical data and features

Security	SKG*** certified (optional) EN 1303:2015 tested, 1 6 – B – C 6 0/D (D optional) Cam DIN 18252 compliant
Attack resistance	Anti-pick Anti-bump (for MKS consult your master key specialist) Anti-drill: 5 minutes' drilling resistance (optional) Anti-pull: 15 kN pulling resistance (optional) Anti-snap (optional)
Keying	Sawn key design Master key system (MKS) Keyed alike (KA) Keyed to differ (KD)
Number of keys	MKS and KA: according to order; KD: 3
Max. number of effective key differs	144,729
Max. number of MKS profiles	63
Number of pins	6
Raw material	Brass
Finish	Satin Nickel
Cylinder length	Minimum: 27 10 mm; Maximum: 90 10 mm Increments: 5 mm (starting from 30 10 mm)
Weight	161 g (length 30 10 mm)
Optional functionality	Adjustable cam: 8 positions Anti-snap design Construction keying

Dimensions in mm



ASSA ABLOY
Opening Solutions EMEA
Mechanical Security
Solutions
Dukes Court
Dukes Street
Woking
GU21 5BH
United Kingdom
assaabloy.com