

CYS10 Switch Cylinder

Technical Datasheet



For switch boxes and control panels



The CYS10 Switch Cylinder is designed for switchboxes, control panels and similar applications. To unlock, a keyholder turns their key through 90 degrees, left or right, to complete the electrical circuit. The left/right setting can be adjusted with one screw on the cylinder.



Certified security

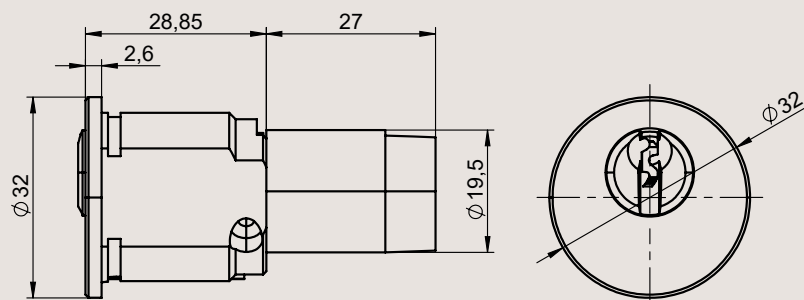


Protection against cylinder attack

Technical data and features

Security	EN 1303:2015 tested, 1 6 – B – C 6 0
Attack resistance	Anti-pick Anti-bump (for MKS consult your master key specialist)
Keying	Sawn key design Master key system (MKS) Keyed alike (KA) Keyed to differ (KD)
Number of keys	MKS and KA: according to order; KD: 3
Max. number of effective key differs	144,729
Max. number of MKS profiles	63
Number of pins	6
Raw material	Brass, Plastic
Finish	Satin Nickel
Dimensions	Face diameter: 32 mm Body diameter: 26.9 mm Length: 56 mm Thread form: M27x1 mm
Weight	165 g

Dimensions in mm



ASSA ABLOY
Opening Solutions EMEA
Mechanical Security
Solutions
Dukes Court
Dukes Street
Woking
GU21 5BH
United Kingdom
assaabloy.com