

INSTALLATION AND COMMISSIONING INSTRUCTION Optical smoke detector

Optical smoke detector



Application: Automatic smoke detector to be connected in the detector line of a control unit, for early detection of fire and controlling of the emergency open function of a SHEV group.

Measuring element: photo electric / scattered light principle
 Operating voltage: 8,5 – 33 V DC
 Standby current: < 100 µA



Housing: Surface mounting, plastic (ABS), pearl white
 Dimensions (ØxH): Ø100 x 50 mm
 Connections: Screw terminals 1,0 mm² (rigid wire)
 Protection rating: IP23D

Display: Alarm LED

VERSIONS

Detector with surface mounting base	531520
Detector	531518 E
Surface mounting base	531519

Feature / Equipment:

- Fire algorithms to avoid false alarms, automatic alarm threshold tracking
- According to EN 54-7, connection to the detector line input
- **VdS certification no.: G 204039**

VdS

Assembly:

- Mount detector only in horizontal position.
- Produce drill holes for two screws M5 - according to the hole layout from the smoke detector pedestal.
- Mount the smoke detector pedestal with two screws M5 at the mounting surface.
- Guide detector into locking position and turn it to the right.

Maintenance:

- Check smoke detector regularly with testing gas. Adhere to instructions for detector test.
- **Yellow** blinking of the **LED**-display indicates a fault.
- Clean dirty detectors with a moist cloth or a little rubbing alcohol. Replace if necessary.
- For maintenance and change of the detector, note the current regulations (e.g. DIN 14675).



Remove the dust protection cap only with start-up.
 The connection depends on the control unit.

NOTE

The smoke detector must be disposed in accordance with legal regulations.



Warranty claims require proper and professional assembly, installation and maintenance in accordance with national regulations and manufacturer's instructions of the SHEV control unit.

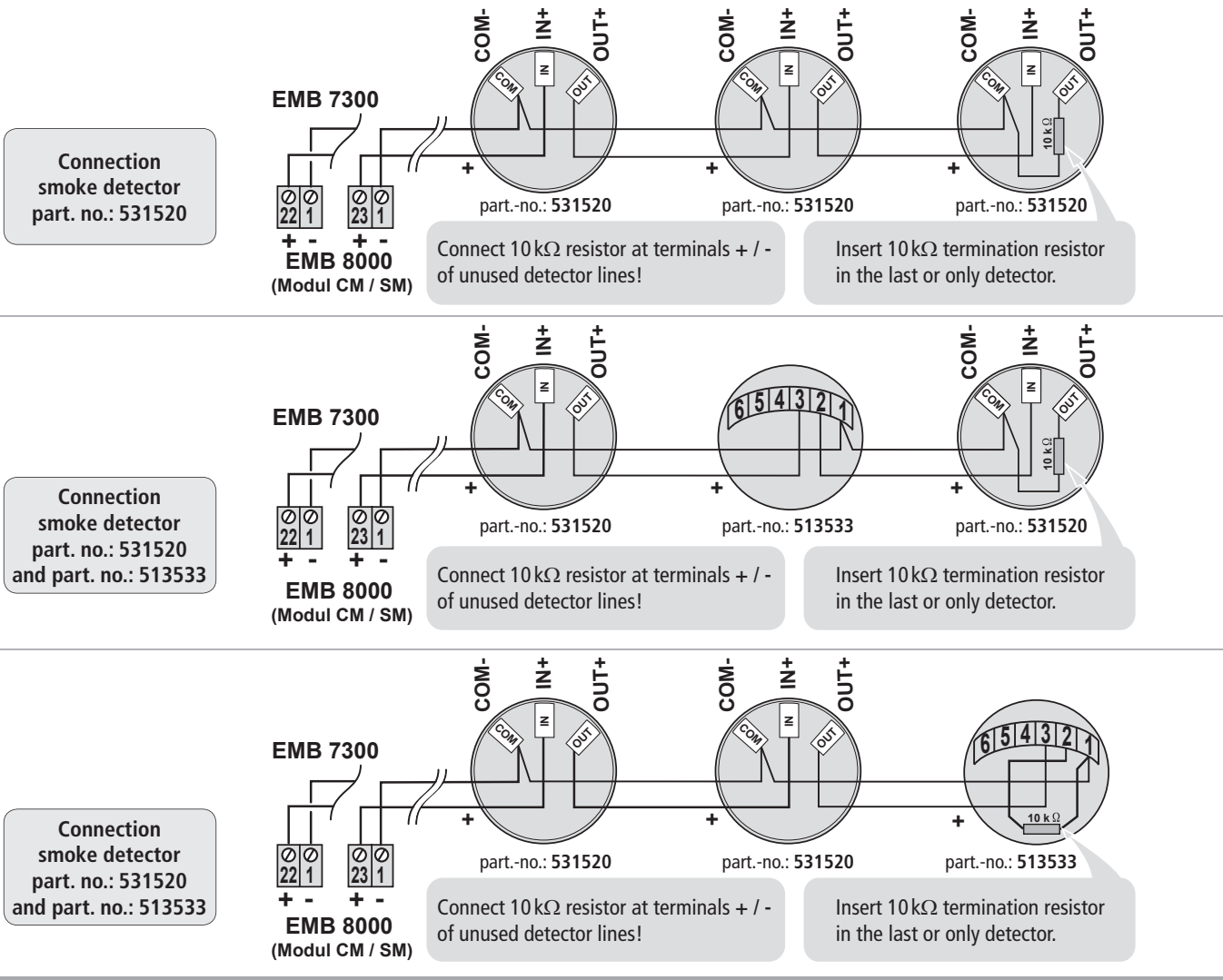
The safety instructions in the supplied product documentation are to be observed.



Strictly observe the information given in this and in the instructions for installation of the SHEV control unit, when mounting the **optical smoke detector**. Details can be found on our website www.aumueller-gmbh.de

Keep this instruction over the lifetime of the product.

Connection optical smoke detector (VdS-testet)

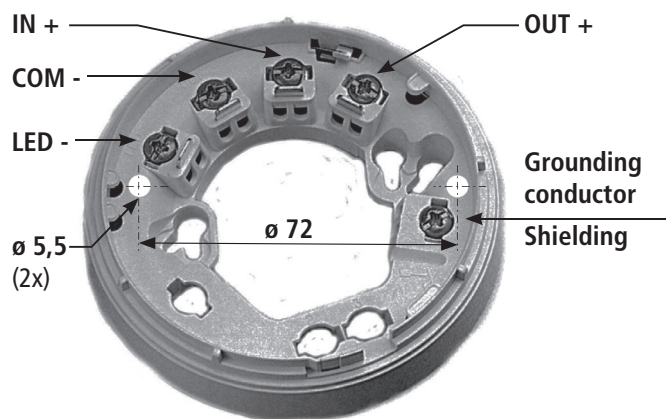


LED display

Display	State
red lights - continuous	alarm triggered
red blinks - 1x per second	TEST MODE
yellow blinks - every 4 seconds	fault
yellow blinks - 1x per second	quiescent value adjustment Degree of contamination: 75 %

Important note for detector test:

If the voltage of the detector line is interrupted by disconnecting and connecting or by pressing the reset button in the control unit, the detectors react 4 minutes later to the checking with testing gas. The test mode is indicated by a red blinking of the LED-display. A yellow blinking every 4 seconds indicates a detector fault (if necessary, replace detector).



Grounding conductor is not required for connection at the AUMÜLLER control units.

www.aumueller-gmbh.de

AUMÜLLER AUMATIC GMBH
Gemeindewald 11
86672 Thierhaupten

Tel. +49 8271 8185-0
Fax +49 8271 8185-250
info@aumueeller-gmbh.de